

HEINTZ & KAUFMAN LTD.  
 South San Francisco  
 California

TYPE HK-24G GAMMATRON  
Very High Frequency Triode

PHYSICAL DATA

Plate ..... Cylindrical Tantalum  
 Grid ..... Vertical Bar Tantalum  
 Filament ..... Thoriated Tungsten  
 Max. Height ..... 4-3/8 Inches  
 Bulb Diameter ..... 1-3/8 Inches  
 Net Weight ..... 1-1/4 Ounces  
 Shipping Weight ..... 1-1/4 Pounds

ELECTRICAL DATA

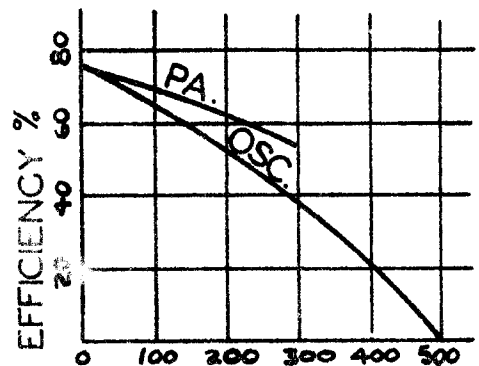
Filament Voltage ..... 6.3 Volts  
 Filament Current ..... 3.0 Amps.  
 Amplification Constant.. 25  
 Max. Plate Dissipation.. 25 Watts  
 Max. Plate Voltage ..... 2000 Volts  
 Max. Plate Current ..... 75 M. A.  
 Max. Grid Bias ..... -500 Volts  
 Max. Grid Current ..... 25 M. A.  
 Max. DC Plate Input ..... 112 Watts

INTERELECTRODE CAPACITIES

Grid-Plate..... 1.6 mmfds  
 Grid-Filament..... 1.8 mmfds  
 Plate-Filament..... 0.2 mmfds

UHF PERFORMANCE

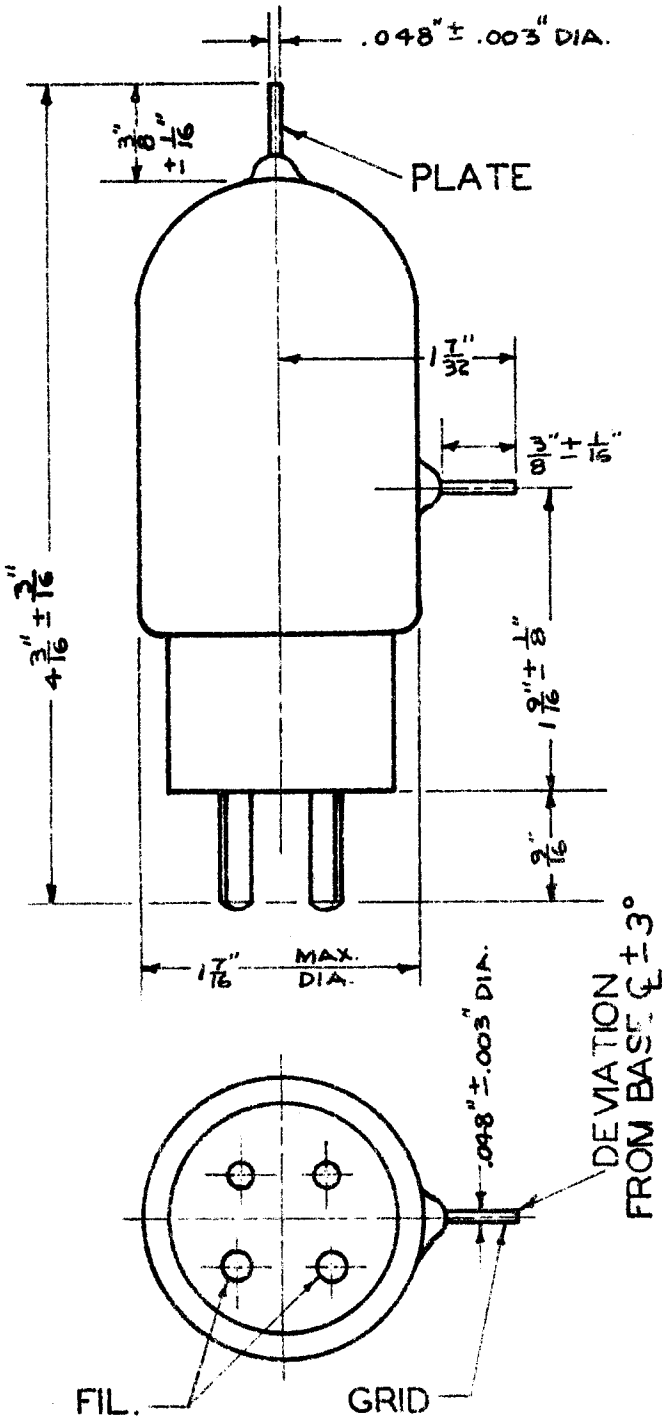
(Continuous Operation Conditions)



FREQUENCY MEGACYCLES

Max. Plate Input

	60	100	150	200	250	300 mc
RFPA Class "C" Unmodulated	112	88	80	70	61	55 Watts
RFPA Class "C" Plate Mod.	75	59	53	47	41	36 Watts



BOTTOM VIEW  
 SMALL 4 - PIN BASE

Frequency  
 RFPA Class "C" Unmodulated  
 RFPA Class "C" Plate Mod.

For characteristic curves and operating conditions see data sheet for HK-24